



GIA
GEMOLOGICAL INSTITUTE OF AMERICA®

New York Laboratory Headquarters
580 Fifth Avenue | New York, NY 10036-4794
T: 212-221-5858 | F: 212-575-3095

Carlsbad
5355 Armada Drive | Carlsbad, CA 92008-4699
T: 760-603-4500 | F: 760-603-1814
www.gia.edu

COLORED DIAMOND IDENTIFICATION AND ORIGIN REPORT

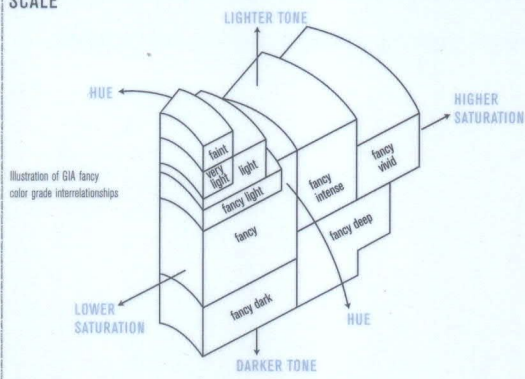
GIA REPORT 15687423

January 24, 2007

Shape and Cutting Style **OVAL BRILLIANT**
 Measurements **4.44 x 2.75 x 1.49 mm**
 Weight **0.13 carat**
 Color Grade
 Origin **NATURAL**
 Grade **FANCY INTENSE**
 **PINK-PURPLE**
 Distribution **EVEN**

Comments:
None

GIA
COLORED
DIAMOND
SCALE



414020302

This Report is not a guarantee, valuation or appraisal and contains only the characteristics of the diamond described herein after it has been graded, tested, examined and analyzed by the GIA Laboratory and/or has been inscribed using the techniques and equipment available to the GIA Laboratory at the time of the examination and/or inscription. The recipient of this Report may wish to consult a credentialed jeweler or gemologist about the information contained herein.



The security features in this document, including the hologram, security screen and microprint lines, in addition to those not listed, exceed document security industry guidelines.

IMPORTANT LIMITATIONS ON BACK
©2006 GEMOLOGICAL INSTITUTE OF AMERICA, INC.